

Platform Scales DVC



- **Flat construction**
- **Rugged and maintenance-free**
- **High-quality design**
- **Wide range of accessories**
- **Legal-for-trade as commercial scale, Class III**
- **Hazardous area variants (option)**

Application

Thanks to their flat, rugged and maintenance-friendly design, the DVC platform scales are perfectly suitable for use in virtually any industry.

High-quality design (optionally electropolished, stainless steel up to grade V4A), easy cleaning (removable load plate) and a wide range of accessories qualify the scales for use in sophisticated applications, e.g. in the chemical and food industries.

Construction

- 10 sizes from 400 x 300 mm to 2000 x 1500 mm
- Removable load plate
- Material St37 powder-coated (median grey, RAL 7040) or stainless steel 1.4301 (V2A) up to size 800 x 600 load plate V2A on standard
- Option: load plate V4A electropolished, surface roughness < 3µm
- Option: complete scale in V4A, electropolished, surface roughness < 3µm
- Floor-mounted variant with 4 adjustable feet
- Option: foundation frame for pit-mounted variant
- Legal-for-trade variant for 3000d or multi-range 2 x 3000d

- Hazardous area variants for:
 - Gas-Ex Zone 1 (ATEX) in protection class Ex-i
 - Gas-Ex Zone 2 (ATEX)
- Dust-Ex Zones 21 and 22 (ATEX)
- Wide range of accessories, e.g.
 - Tear-drop load plate
 - Ball-shaped load plate
 - Roller train
 - Drive-on ramps
 - Mounting supports
 - Bottom fixation

Further special variants are available and will be offered to you upon request.

We will be pleased to suggest a complete scale configured to your requirements, e.g. DVC platform scale complete with DISOMAT weighing electronics, printer, displays and other accessories.

Available combinations of scale size and rated capacities

Size [mm]	Weighing range [kg]					
	60	150	300	600	1500	3000
400 x 300	X					
500 x 400	X	X				
650 x 500	X	X	X			
800 x 600	X	X	X			
1000 x 800				X	X	X
1000 x 1000				X	X	X
1250 x 1000				X	X	X
1500 x 1250				X	X	X
1500 x 1500				X	X	X
2000 x 1500				X	X	X

View of scales up to size 500 x 400 mm
(with St37 variant up to 650 x 500 mm)

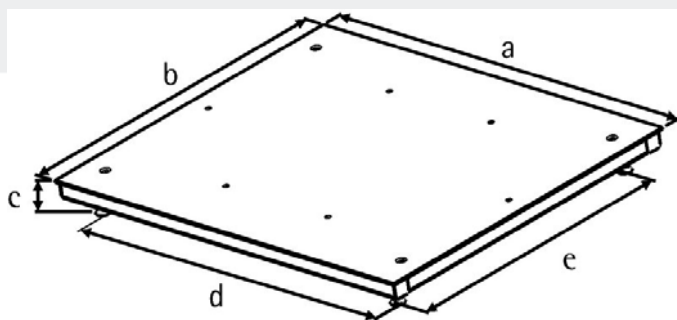


View of scales up to size 650 x 500 mm
(with St37 variant up to 800 x 600 mm)



Load plate of V2A on standard.

Dimensions and load limits



Support feet diameter: 80 mm
Adjusting range: 5 mm

Size [mm] (a x b)	Height [mm] (c)	Support spacing [mm] (d x e)	Cable length [m]	Dead weight [kg]	Strength		
					Mid [kg]	Side [kg]	Corner [kg]
400 x 300	94 (VA:101)	344 x 244	1,5	11	130	85	45
500 x 400	96 (VA:104)	443 x 343	1,5	18	300	200	100
650 x 500 (St37)	145	530 x 434	3	20	600	400	200
650 x 500 (VA)	90	550 x 400	3	20	450	300	150
800 x 600	145	680 x 534	3	35	1200	800	400
800 x 600 (VA)	90	700 x 500	3	35	900	600	300
1000 x 800	90	804 x 604	6	140	4500	3000	1500
1000 x 1000	90	804 x 804	6	160	4500	3000	1500
1250 x 1000	90	1054 x 804	6	185	4500	3000	1500
1500 x 1250	90	1304 x 1054	6	270	4500	3000	1500
1500 x 1500	90	1304 x 1304	6	305	4500	3000	1500
2000 x 1500	100	1804 x 1304	6	425	4500	3000	1500

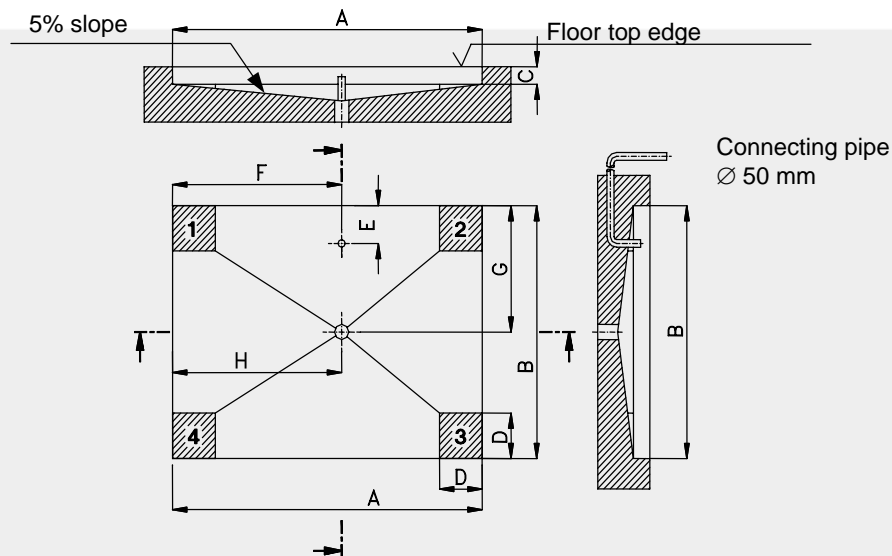
DVC Foundation Frame

For mounting the DVC scales in a pit, appropriate foundation frames are available. Designed to neatly frame the foundation pit, these frames also ensure proper centering and provide metallic mounting surfaces for the platform scale's adjustment feet.

The requirements of the pit bottom regarding levelness and strength are not very high.

All you have to do is install the foundation frame in the prepared pit and fill the residual gap with concrete. For further details, please see the installation instructions given in Service Manual BV-H 2224.

Dimensions of user's pit



Note: Dimensions H, G (dewatering) and E, F (cable inlet) are useful suggestions and can be varied in case of need.

Platform size	Foundation frame inner dimensions	Pit inner dimensions (A x B)	Pit depth (C)	Mounting surface (D)	Correction sheets	E	F	G	H
800 x 600 St37	814 x 614	970 x 77	160	220	150 x 150	200	485	560	485
800 x 600 VA	814 x 614	950 x 750	105	250	200 x 200	175	475	570	475
1000 x 1000	1014 x 1014	1150 x 1150	105	300	250 x 250	250	800	575	575
1250 x 1000	1264 x 1014	1400 x 1150	105	300	250 x 250	250	800	575	575
1500 x 1250	1514 x 1264	1650 x 1400	105	300	250 x 250	450	1100	700	700
1500 x 1500	1514 x 1514	1650 x 1650	105	300	250 x 250	480	1200	825	825
2000 x 1500	2014 x 1514	2170 x 1670	115	300	300 x 300	250	1185	835	1185

Available preference sizes

Size [mm]	Material	Rated Capacity [kg]	Quality	Ordering no.
Platform scales St37				
800 x 600	St 37	300	C3	V020526.B01
1000 x 1000	St 37	600	C3	V020526.B02
1250 x 1000	St 37	600	C3	V020526.B03
1000 x 1000	St 37	1500	C3	V020526.B04
1250 x 1000	St 37	1500	C3	V020526.B05
1500 x 1250	St 37	1500	C3	V020526.B06
1500 x 1500	St 37	1500	C3	V020526.B07
2000 x 1500	St 37	1500	C3	V020526.B08
1000 x 1000	St 37	3000	C3	V020526.B09
1250 x 1000	St 37	3000	C3	V020526.B10
1500 x 1250	St 37	3000	C3	V020526.B11
1500 x 1500	St 37	3000	C3	V020526.B12
2000 x 1500	St 37	3000	C3	V020526.B13

Size [mm]	Material	Rated Capacity [kg]	Quality	Ordering no.
Platform scales V2A				
800 x 600	V2A	300	C3	V020538.B01
1000 x 1000	V2A	600	C3	V020538.B02
1250 x 1000	V2A	600	C3	V020538.B03
1000 x 1000	V2A	1500	C3	V020538.B04
1250 x 1000	V2A	1500	C3	V020538.B05
1500 x 1250	V2A	1500	C3	V020538.B06
1500 x 1500	V2A	1500	C3	V020538.B07
2000 x 1500	V2A	1500	C3	V020538.B08
1000 x 1000	V2A	3000	C3	V020538.B09
1250 x 1000	V2A	3000	C3	V020538.B10
1500 x 1250	V2A	3000	C3	V020538.B11
1500 x 1500	V2A	3000	C3	V020538.B12
2000 x 1500	V2A	3000	C3	V020538.B13
Platform scales V2A Ex-i Zone 1				
800 x 600	V2A-Exi	300	C3	V020546.B01
1000 x 1000	V2A-Exi	600	C3	V020546.B02
1250 x 1000	V2A-Exi	600	C3	V020546.B03
1000 x 1000	V2A-Exi	1500	C3	V020546.B04
1250 x 1000	V2A-Exi	1500	C3	V020546.B05
1500 x 1250	V2A-Exi	1500	C3	V020546.B06
1500 x 1500	V2A-Exi	1500	C3	V020546.B07
2000 x 1500	V2A-Exi	1500	C3	V020546.B08
1000 x 1000	V2A-Exi	3000	C3	V020546.B09
1250 x 1000	V2A-Exi	3000	C3	V020546.B10
1500 x 1250	V2A-Exi	3000	C3	V020546.B11
1500 x 1500	V2A-Exi	3000	C3	V020546.B12
2000 x 1500	V2A-Exi	3000	C3	V020546.B13
Foundation frame St37				
800 x 600	St37			V020567.B01
1000 x 1000	St37			V020567.B02
1250 x 1000	St37			V020567.B03
1500 x 1250	St37			V020567.B04
1500 x 1500	St37			V020567.B05
2000 x 1500	St37			V020567.B06
Foundation frame V2A				
800 x 600	V2A			V020575.B01
1000 x 1000	V2A			V020575.B02
1250 x 1000	V2A			V020575.B03
1500 x 1250	V2A			V020575.B04
1500 x 1500	V2A			V020575.B05
2000 x 1500	V2A			V020575.B06
Small scales				
400 x 500	V2A	60	C3	V020576.B01
400 x 500	V2A-Exi	60	C3	V020577.B01

Further sizes and accessories available upon request.

We reserve the right to discontinue or change specifications or designs at any time without notice or obligation.